

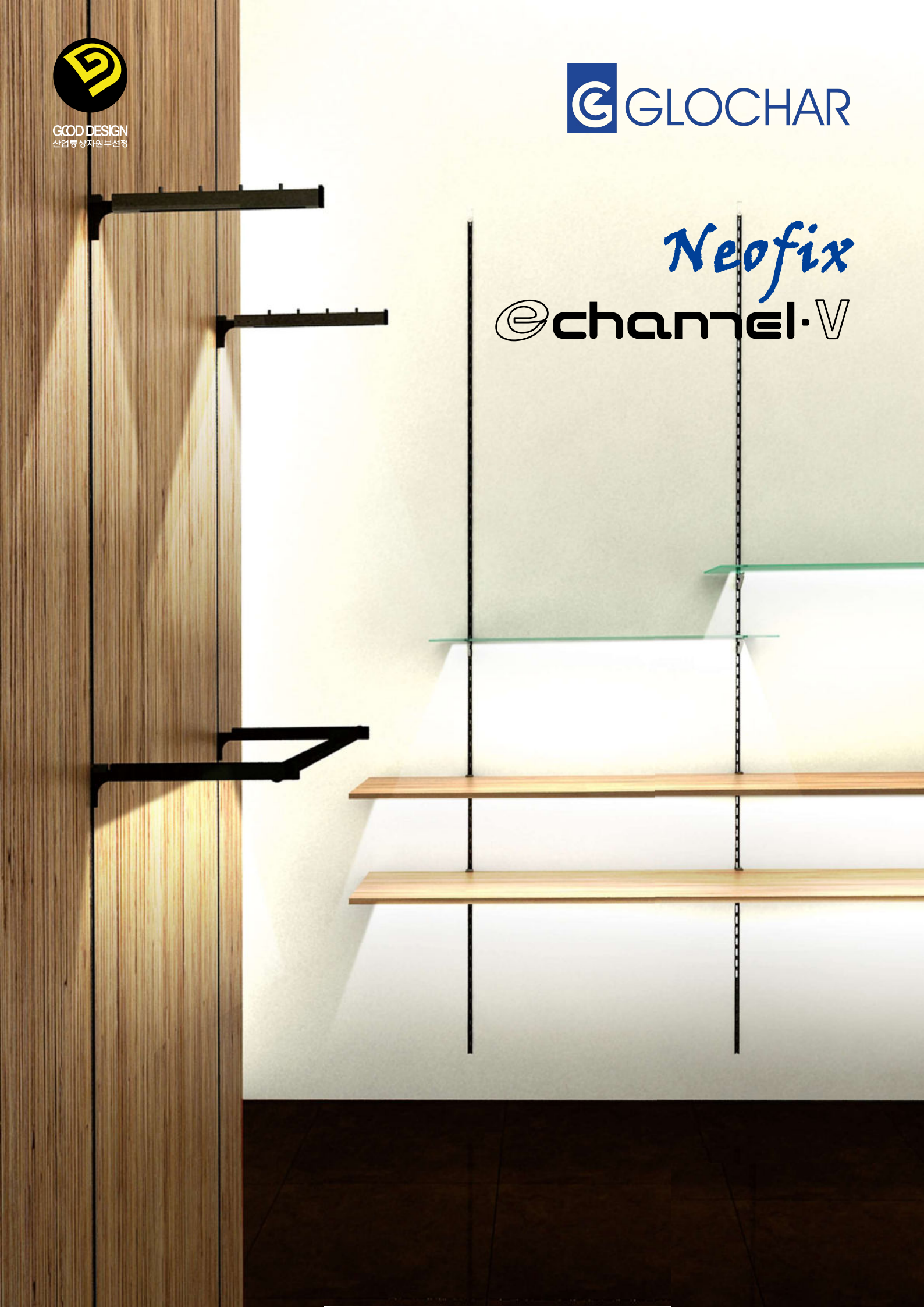


GOD DESIGN
산업통상자원부선정

 GLOCHAR

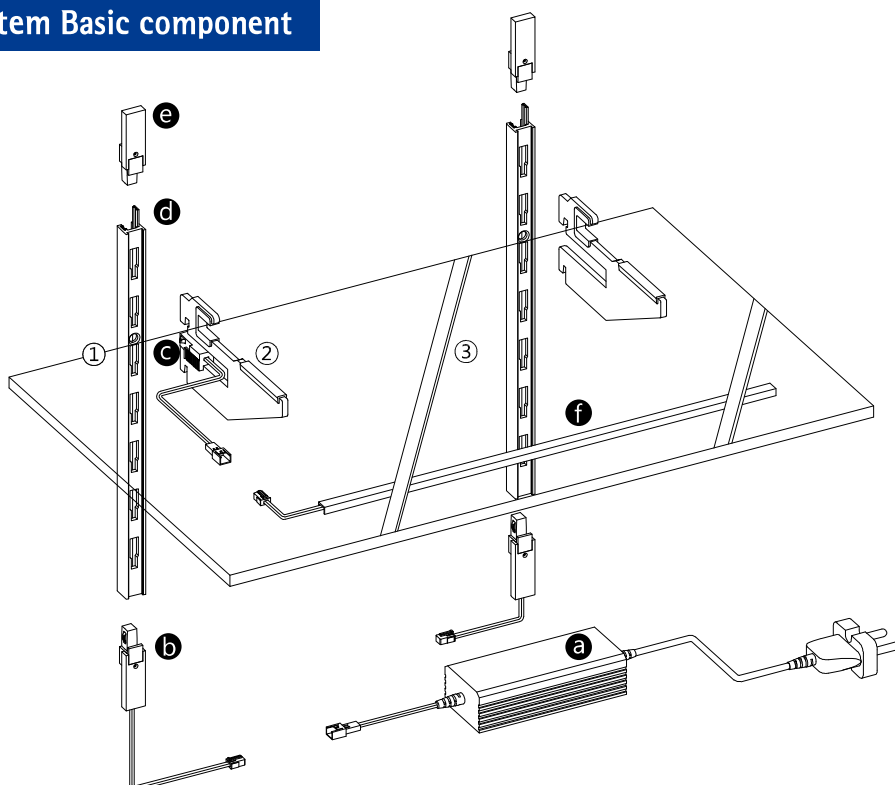
Neofix

@channel·V





Channel System Basic component



- a** SMPS
- b** Power Socket
- c** Plug
- d** Electric Rail
- e** End cap
- f** LED lightings

- ①** Support
- ②** Glass Bracket
- ③** Glass Shelf

※ Please be careful of (+) (-) Electrodes during installation(Power socket should be at the bottom)



e channel _V

e-channel · V

The Vertical Support system integrated with Power-supply, also modern stylic and easy to use and maintain.

- The Vertical Support System Integrated with power supply and other components of power socket, electric rail and End-caps.
- At any point of the support, Bracket with its Plug can be conjoined to be supporting shelf with lightings for display.
- The Vertical Support that weighs light and are able to be variously colored, being made of aluminum, highlights your brand image and its visual, sensuous feature.
- The Power Supporting System with beneficial functions of visual and sensuous features for interior decoration.



Functional features

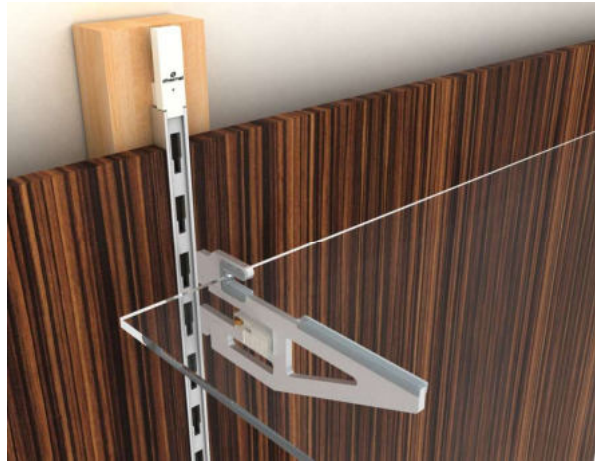
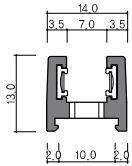
- The Support System, integrated with power supply.
- The Energy-saving Support, with its systemized LED lightings.
- The beautiful support system with its slim design and miniaturized power supply components.
- The Simplified System with its easy use and easy maintenance.

Visual features

- Creates smooth space decoration with its rhythmic vertical design.
- A variety of colors enables pointed design display.
- The Slim Design Support, with its miniaturized material thickness.

Standard type

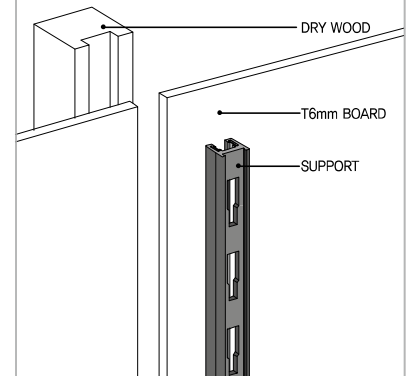
* Drawing



* Caution for weight on Bracket

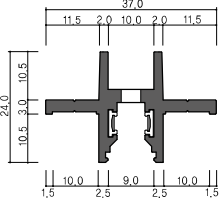
MAX. Weight Load = 60kg

* Drawing for conjunction



Hidden type

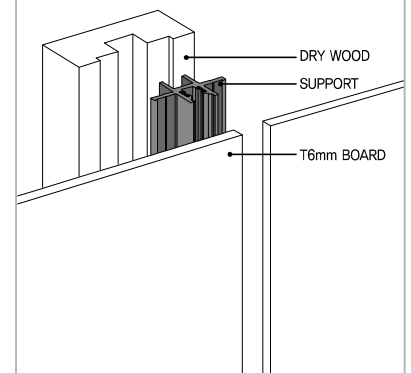
* Drawing



* Caution for weight on Bracket

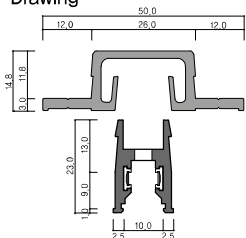
MAX. Weight Load = 80kg

* Drawing for conjunction



Mount-fixed type

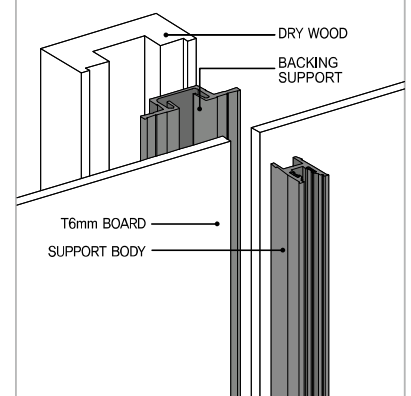
* Drawing



* Caution for weight on Bracket

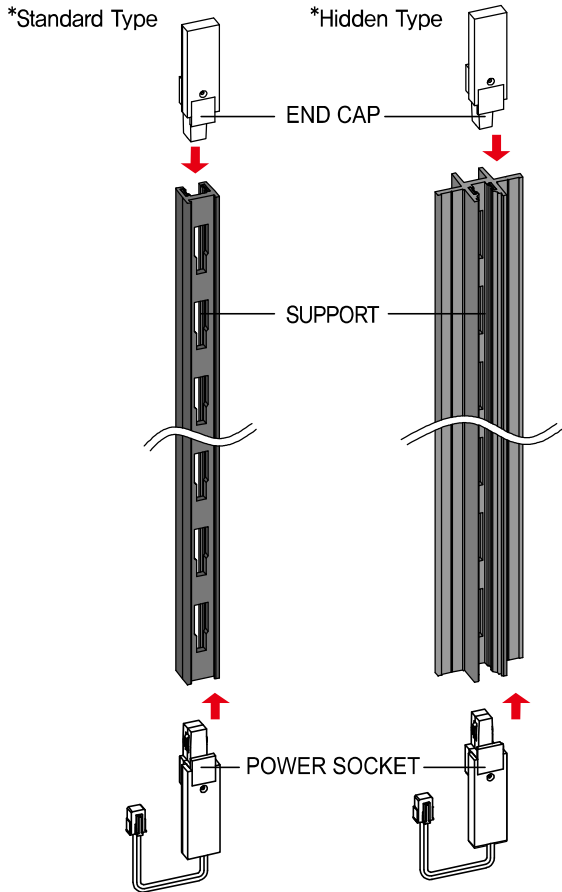
MAX. Weight Load = 80kg

* Drawing for conjunction



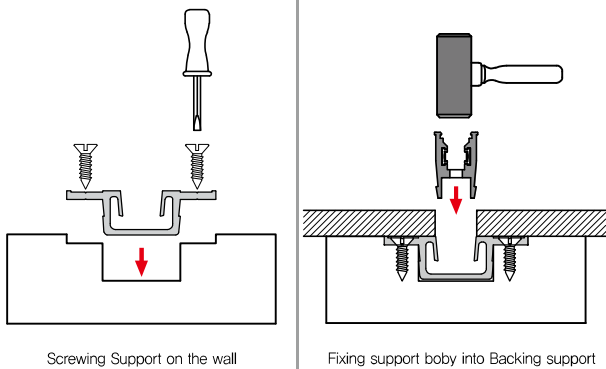
Product Manual

Conjunction of Power Socket and End-cap

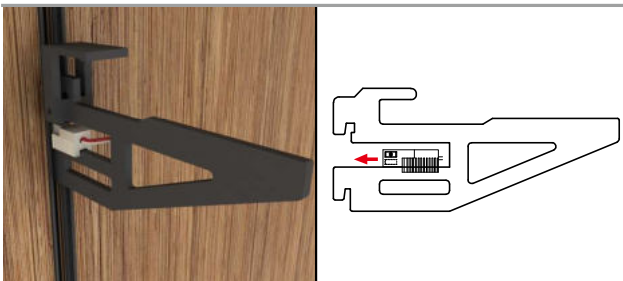


※ Power socket should be at the bottom(Please be careful of +, -Electrodes)

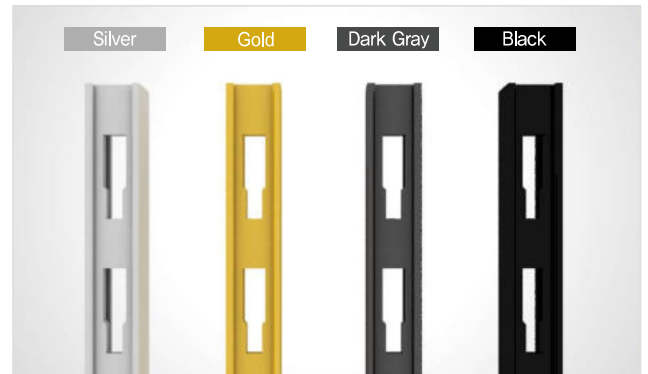
Installation of Mount-fixed Type Support



Drawing of plug conjunction



Color



Bracket

Basic Type Bracket

※ Designs are changeable

* L : 310, 360mm



Clip Type Bracket

* T18~25mm Wooden Shelf

* T 8mm Glass Shelf



Hanger



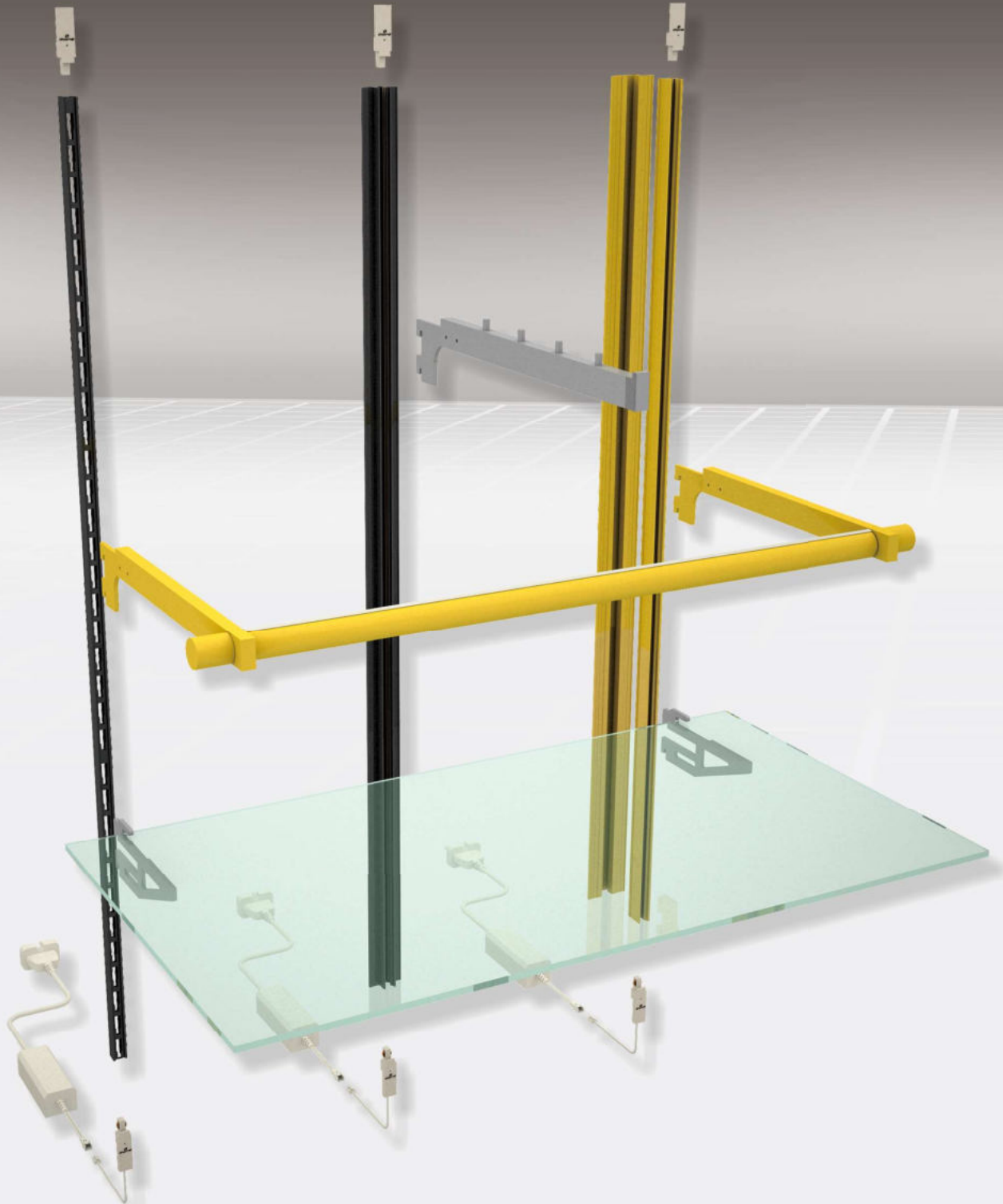
Face Out & Load Bar, Hook

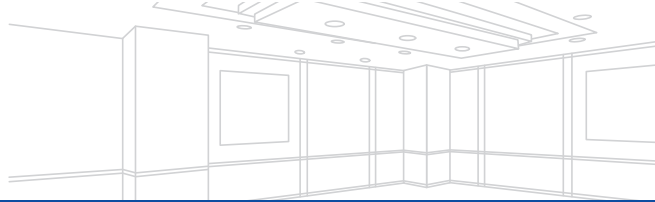


Standard type

Hidden type

Mount-fixed type





ELECTRIC SUPPORT

Product Name	Type	Model NO.	Size	Remark
Standard Type		NESV - 11	1,500	Sizes, Including Power-Socket and End Cap
			1,800	
			2,100	
			2,400	
			3,000	
Hidden Type		NESV - 12	1,500	Sizes, Including Power-Socket and End Cap
			1,800	
			2,100	
			2,400	
			3,000	
Mount-fixed Type		NESV - 13	1,500	Including Power-Socket and End Cap size
			1,800	
			2,100	
			2,400	
			3,000	

Arbitrary alteration is prohibited.

ELECTRIC

Product Name	Type	Model NO.	Remark
Power Socket		NEEV - 31S	For Standard Type
		NEEV - 323S	For Hidden/ Mount-fixed Type
Plug		NEEV - 3BP	For General Use
End Cap		NEEV - 31E	For Standard Type
		NEEV - 323E	For Hidden/ Mount-fixed Type

BRACKET

Product Name	Type	Model NO.	Size	Remark
For Shelves		NEBV - 21G1 NEBV - 21G2 NEBV - 21W1 NEBV - 21W2	L : 310 : 360	Basic Type
		NEBV - 22G1 NEBV - 22G2	L : 155	For Glass shelf -T 8mm
		NEBV - 22W1 NEBV - 22W2	L : 155	For Wooden shelf -Thickness adjustable
For Shelves hanger		NEBV - 21A	L : 65	For Glass shelf -T 8mm
		NEBV - 21A	L : 65	For Wooden shelf -Thickness adjustable
Hanger		NEBV - 23B	W : 600 : 750	Lightings Included
Face out		NEBV - 24ST	L : 350	Lightings Included
Load Bar		NEBV - 23B-12 NEBV - 23P-12 NEBV - 23B-15 NEBV - 23P-15	W : 80 W : 600 750 900	
Hook		NEBV - 23H-126 NEBV - 23H-120 NEBV - 23H-156 NEBV - 23H-128 NEBV - 23H-158	L : 150 : 200 : 250	Round Bar Ø6. Ø8

Designs are changeable.

LED BAR

Type	Voltage	Current	Consumption of Electricity	Recommend Capacity	Recommend Length of LED BAR
S M P S	DC12V	2.5A	30W	24W or less	1,600mm or less
		5.0A	60W	48W or less	3,200mm or less
		6.6A	80W	64W or less	4,200mm or less
		8.3A	100W	80W or less	5,300mm or less
		12.5A	150W	120W or less	8,000mm or less
		16.6A	200W	160W or less	10,600mm or less

ex.) F or 500mm~2,000mm, 4 LED BARs are connectable.
Caution) Depending on the power consumption, it may differ slightly.



Registered Office:

GLOCHAR L.L.C. D11,B2, Shams, UAE.

Sales Office:

M-8, Mezzanine Floor, Royal House Building – A Block, Al Wuheida St, Hor Al Anz East, P.O.Box: 93620, Dubai – UAE.

(M) +971 56 682 3325 / +971 56 6822933 **(W)** www.glochar.com **(E)** info@glochar.com | **Sales Enquiry:** sales@glochar.com

